



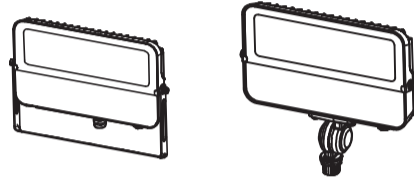
LED Flood Light Installation Instructions

CAT#s: 74500-74507

CAUTION:

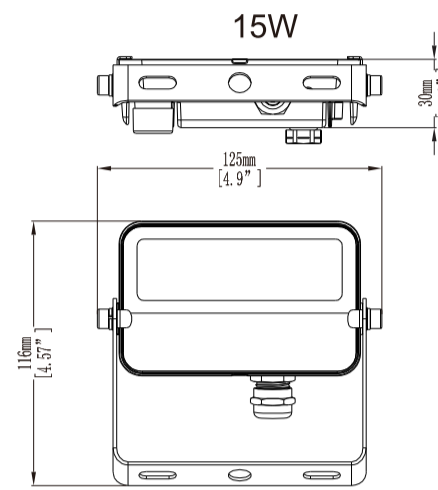
READ THE INSTRUCTIONS CAREFULLY BEFORE INSTALLING THIS FIXTURE. KEEP THESE INSTRUCTIONS FOR FUTURE REFERENCE.

- This fixture is to be installed by a qualified electrician only, abiding by all local and national electrical codes.
- To ensure safety, proper grounding is required.
- Make sure the power is off before installing or performing maintenance on this fixture.



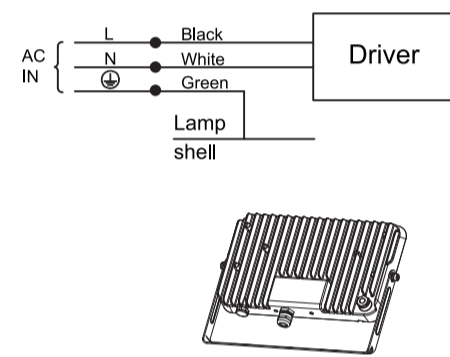
PRODUCT DIMENSIONS:

Yoke Mount:



WIRING:

Turn off the power, connect AC wire, black wire to L, white wire to N, and green wire to G. Dimmer connection with dimmable driver.

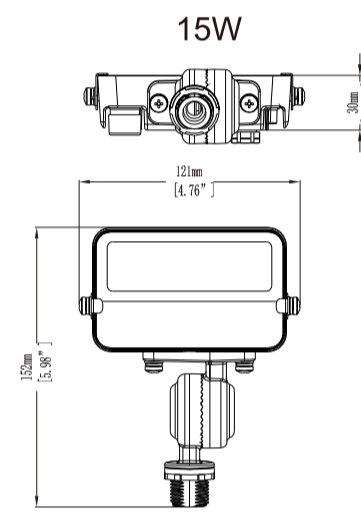


WARNING:

This fixture is to be installed by a qualified electrician only, abiding by all local and national electrical codes.

1

Knuckle Mount:



2

Knuckle Mounting (15W) Installation:

1. Unscrew and open the junction box.
 2. Run the wires through the junction box K.O.
 3. Secure the knuckle mount to the junction box.
 4. Make proper wiring connections as per below and refer to the wiring schematic on page 1.
 5. Attach the cover to the junction box using the screws provided.
 6. Loosen the hex-screw on the knuckle mount using provided hex-tool.
-

3

Yoke Mounting (15W) Installation:

1. Mark the positions where you intend to mount the bracket and fixture, then drill the marked locations to create holes.
 2. Insert expansion bolts into the drilled holes. Use hammer (not provided) to secure bolts in holes.
 3. Securely attach bracket to wall.
 4. Using a 3/16" Wrench (not provided), secure and tighten the screws to secure bracket to mounting surface.
 5. Tilt the fixture to the desired angle that best meets your requirements.
 6. Where the Yoke Mount attaches to the fixture, securely tighten both screws using allen wrench.
-

4